

# A100 TouchSense<sup>®</sup> Actuator Specifications Sheet



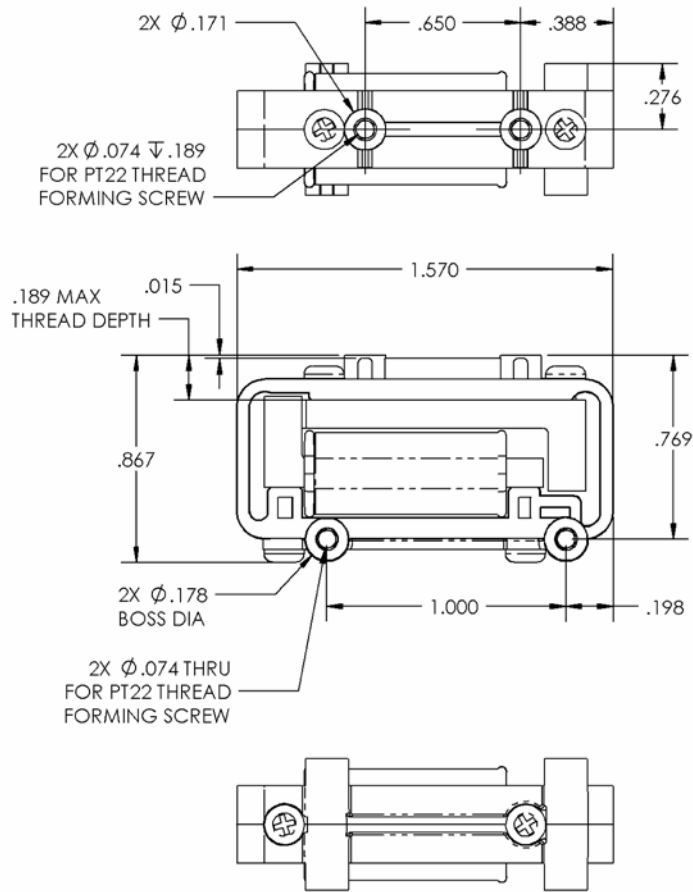
## A100 TouchSense<sup>®</sup> Actuator

For adding tactile feedback to touchscreens of up to 15 inches (diagonal).

### CTS-A100-12 Actuator Specifications

PARAMETER	VALUE
Dimensions (LxHxW)	39.9 mm x 22.0 mm x 14.0 mm (1.57 in x 0.87 in x 0.55 in)
Weight	22g (0.8 oz) per actuator
Fastener (carrier)	Delta PT 2.2 thread forming screw or equiv x 4.5 mm (0.18 in) deep max thread engagement
Fastener (housing)	Delta PT 2.2 thread forming screw or equiv x 13 mm (0.50 in) deep max thread engagement
Connector Type	2-pin Amp Inc. CST-100 quick connect with locking ramp
Voltage	12 VDC nominal
Coil Resistance	12 ohm +/- 1 ohm
Rated Life	> 3 million tactile events
Temperature (operating)	-15°C – 70°C (5°F – 158°F)
Recommended Max Screen Mass	80g (2.8 oz) per actuator for compelling effects on an unsealed system
Peak Current	1A per actuator

# CTS-A100-12 Dimensions (inches)



**Immersion Corporation** 801 Fox Lane, San Jose, CA 95131 USA

T: +1 408.467.1900 | F: +1 408.467.1901 | [touchscreen@immersion.com](mailto:touchscreen@immersion.com) | [www.immersion.com/touchscreen](http://www.immersion.com/touchscreen)

This document does not create any express or implied warranty about Immersion or about its products or services. Immersion has made reasonable efforts to verify that the information contained herein is accurate, but Immersion assumes no responsibility for its use. All information is provided "as-is." The product specifications and features described in this publication are based on the latest information available; however, specifications are subject to change without notice, and certain features may not be available upon initial product release. Contact Immersion for current information regarding its products or services. Immersion's products and services are subject to Immersion's standard terms and conditions.

©2007 Immersion Corporation. All rights reserved. Immersion, the Immersion logo, and TouchSense are trademarks of Immersion Corporation in the U.S. and other countries. All other trademarks are the property of their respective owners.